

LED Machine Work Light LED-M9Q

Introduction:

1. Using anodized aluminum lamp body and tempered glass, very durable.
2. IP67 rating, resistant to high pressure wash, coolants and detergents.
3. Use high quality LED chip, long life span and low decay.
4. Use milky cover, it makes light soft and low glare.
5. Recess mounting type save room and makes lamp integrated on equipment.

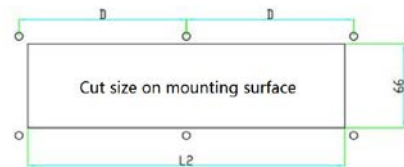
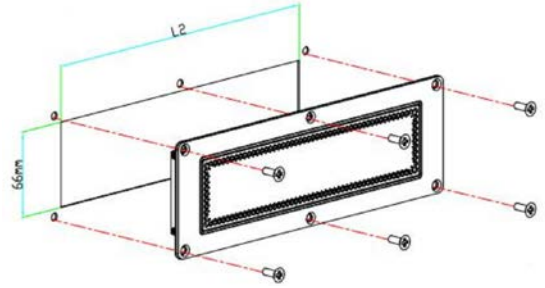
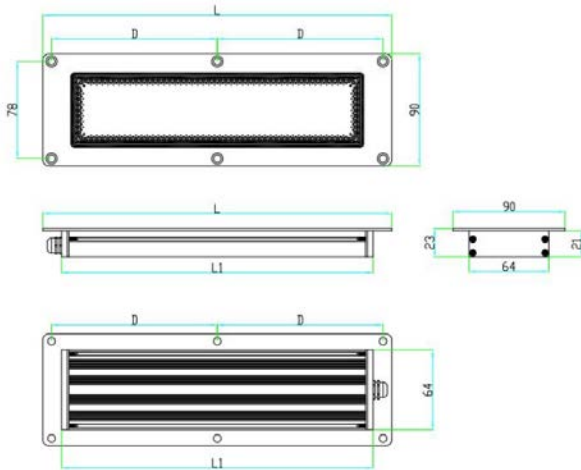
Application:

CNC machine work: engraving machine, EDM machine etc.
 Assembly and repair work.
 Laboratories.

Warranty: 2 years

Certification: CE, RoHS

Dimension(mm)



L	280	430
L1	250	400
L2	252	402
D	133	208

Ordering code:

LED M9Q - B 1 280 12W

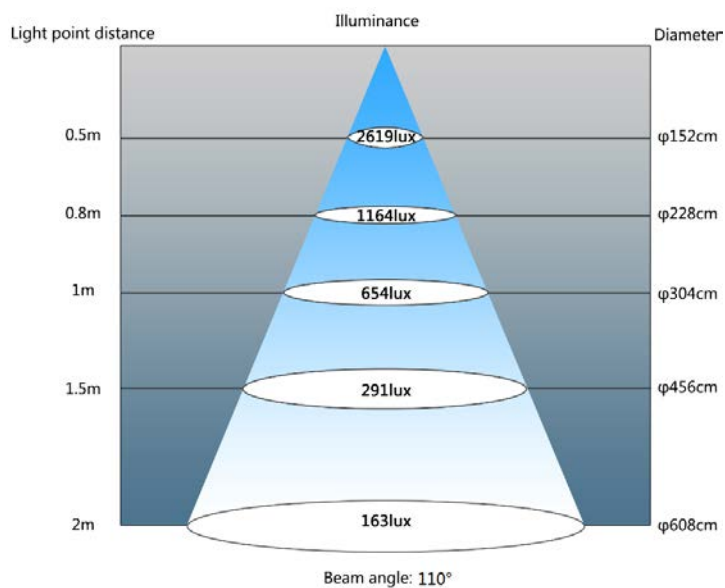
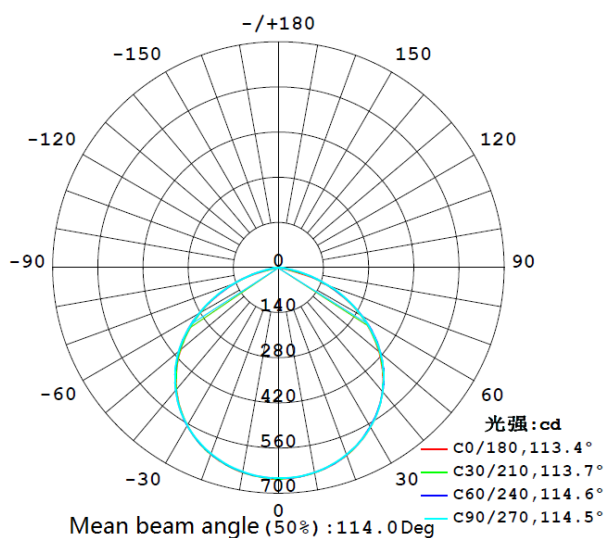
Model No.	Power: 12W, 24W
Voltage: B. DC24V	Length 280. 280mm 430. 430mm
	Color temperature 1. 6000-6500K (Cool white) 2. 4000-4500K (Natural white) 3. 2800-3200K (Warm white)

Parameter:

Power(length)	12W(280mm), 24W(430mm)
Input voltage	DC24V
Lumen efficiency	61lm/w
CRI	>80
IP rating	IP67
Beam angle	110 deg
Color temperature	2800-3200K, 4000-4500K, 6000-6500K
Material	Aluminum housing , Tempered glass
Lifetime	50,000 hours
Working temperature/ humidity	-20~45°C / 10%-90%
Storage temperature/ humidity	-40~60°C / 10%-90%
Installation	Recessing mounting, Fixed by screws

LightGen

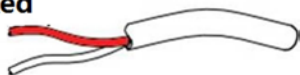
Light distribution data (24W)



Wire connection:

DC24V Cable

Positive(+): Red



Negative(-): White

Package info

	280	430
Qty/carton	10pcs/carton	8pcs/carton
Carton Size	L380*W320*H290mm	L530*W290*H240mm
Net Weight	4kg	5.44kg
Gross Weight	6kg	7.5kg

